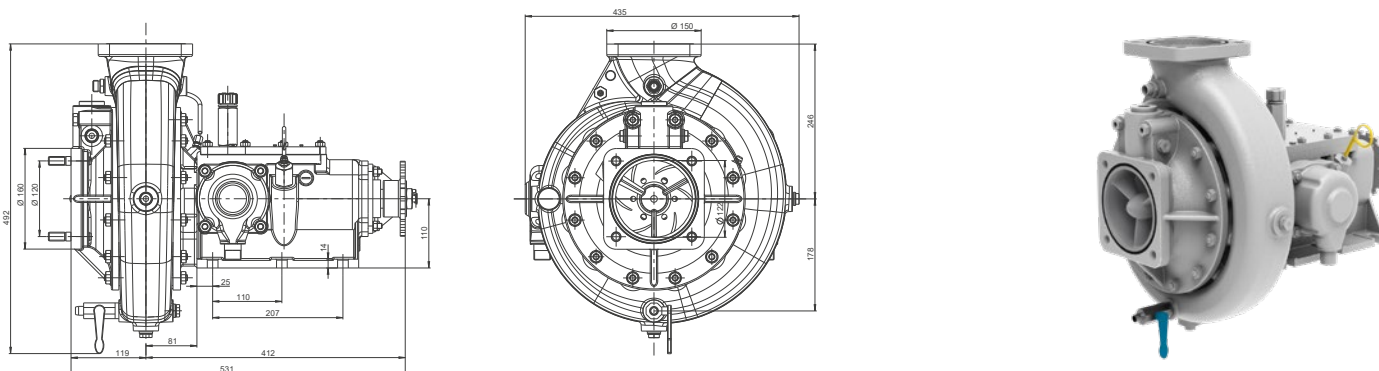
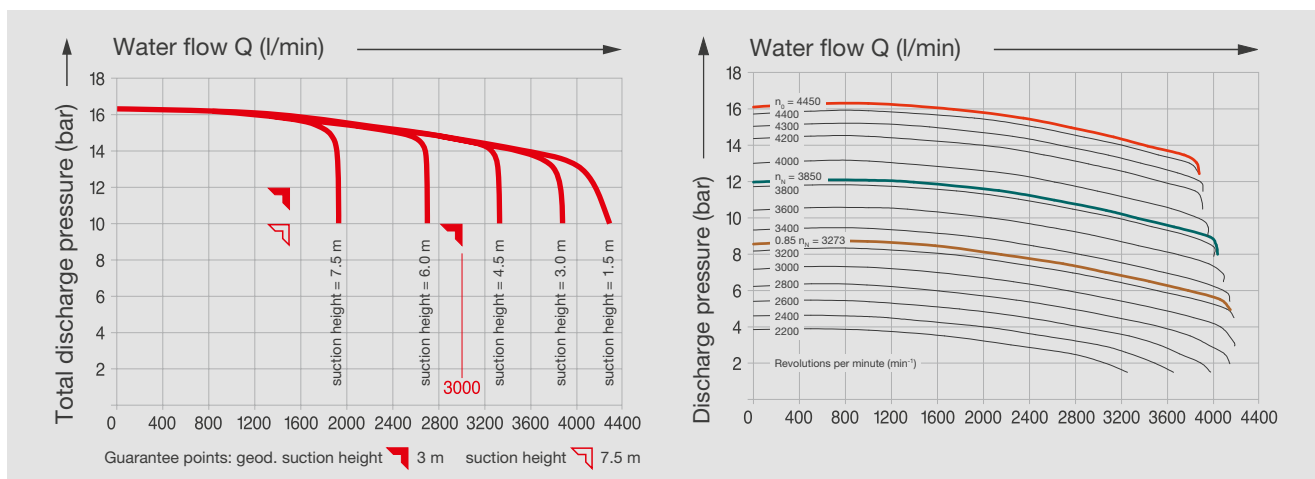


FPN 10-3000-1H Centrifugal fire pump

Art. 022096



Norms/Standards	DIN EN 1028; CCCF
RPM max.	4,450 min ⁻¹
Power input max.	125 kW (170 HP)
Pump output max.	3,800 l/min at 10 bar and H _s 3.0 m
Torque max.	270 Nm
Weight	approx. 90 kg
Dimensions	L x W x H: 540 x 440 x 500 mm
Gear ratio	1:1.23 1:1.35 1:1.48 1:1.81 1:2.10 1:2.50
Priming system	Trokomat



Illustrations may contain accessories and/or special equipment that are not part of the standard scope of delivery or service. Technical changes reserved. We cannot accept any liability for printing errors.



Albert Ziegler GmbH
 Albert-Ziegler-Strasse 1
 89537 Giengen/Brenz
 Germany

Phone +49 (0)7322 951-0
 Fax +49 (0)7322 951-211
 info@ziegler.de



We provide security.
 www.ziegler.de

D3205-1-0721